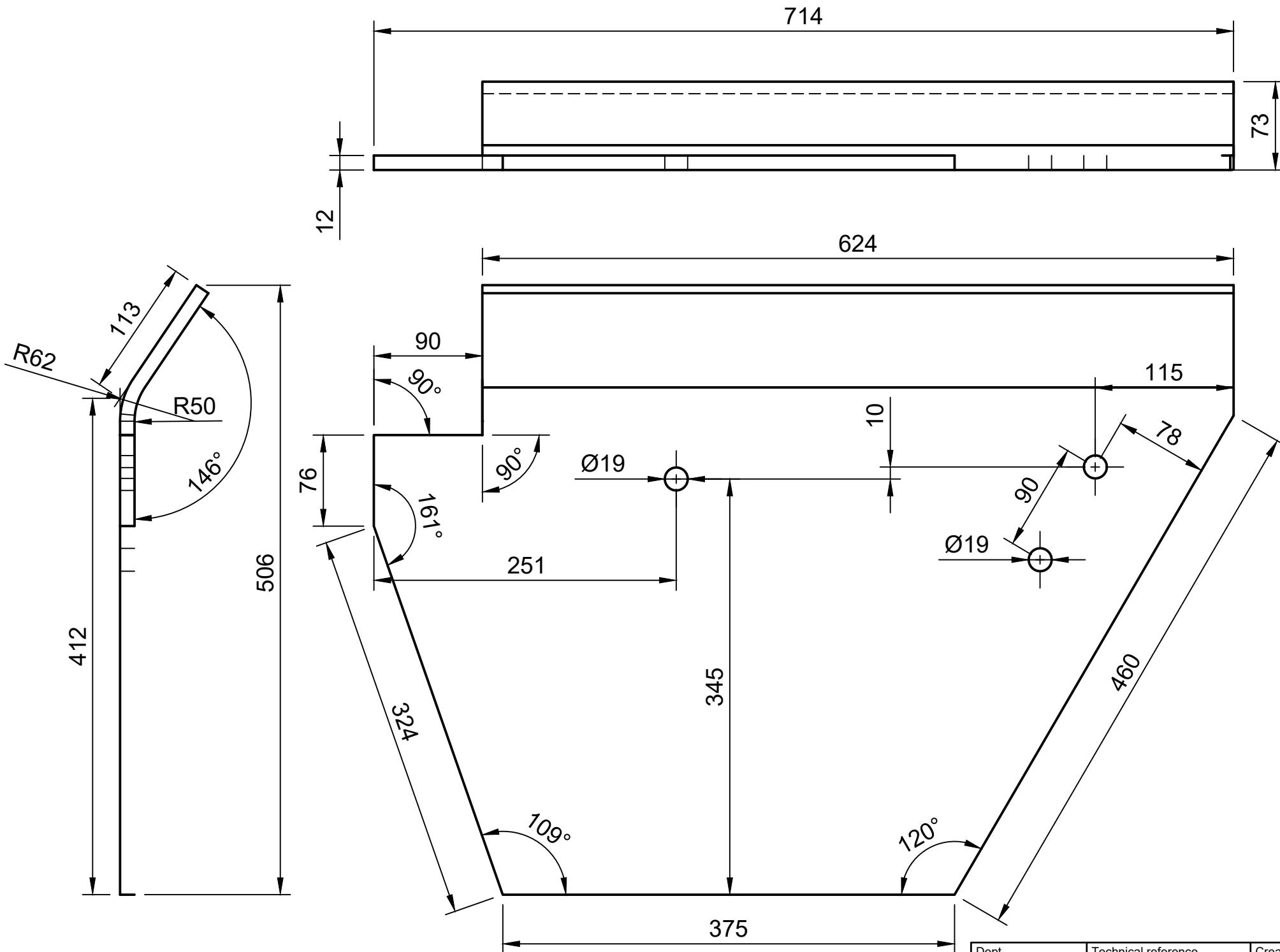


Specification				
Qty	Serial Number	Part name	Material	Weight
1	POS-14	Side wear plate right	CR 4800	27.8 kg



Dept.	Technical reference	Created by	Approved by
		Document type	Document status
		Title	DWG No.
		<b>Užsakovas</b> UAB "Vilniaus kogeneracinė jėgainė"	
	Rev.	Date of issue	Sheet
			<b>1/1</b>

SCALE 1:4